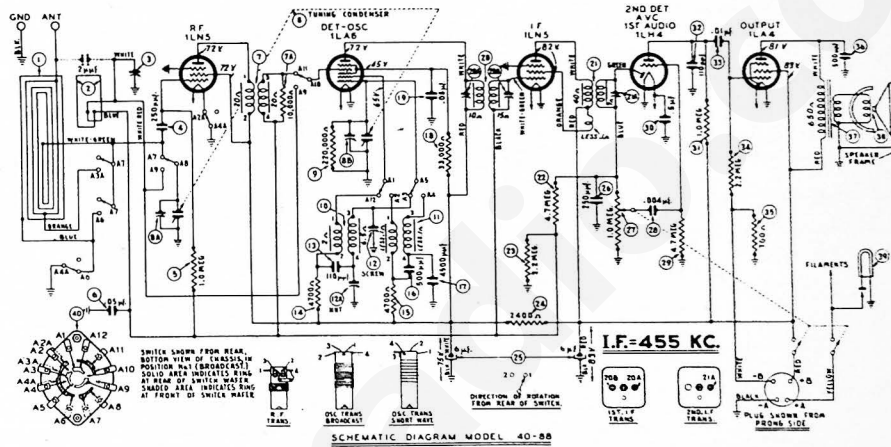


# MODEL 40-88T, TL, Code 121

## SPECIFICATIONS

Model 40-88 is a portable 5 tube battery operated superheterodyne receiver for reception of standard and shortwave broadcast stations. Other features of design incorporated in this model are: a self-contained twin loop aerial for standard broadcast and shortwave reception, R. F. stage, extremely sensitive permanent magnet field speaker, and Philco loktal tubes. Outside aerial and ground terminals are provided for locations where signal strength is very weak or for permanent or semi-permanent installations. The receiver is operated from a self-contained A-B Battery.

**TUNING RANGE:**  
Broadcast, 540 to 1600 K. C. Shortwave, 5.8 to 18 M. C.  
**INTERMEDIATE FREQUENCY:** 455 K. C.  
**PHILCO TUBES USED:** 1-1LN5, R. F. Amplifier; 1-1LA6, Converter; 1-1LN5, I. F. Amplifier; 1-1LH4, Second Detector, A. F. Amplifier and Automatic Volume Control; and 1-1LA4, Audio Output.  
**PHILCO BATTERIES USED:** One P-60A-4L  
**BATTERY CURRENT:**  
"A" Battery, 250 M. A. "B" Battery, 8 M. A.



See Page 40 for Aligning Procedure.

## REPLACEMENT PARTS

SCHE. No.	DESCRIPTION	PART No.	SCHE. No.	DESCRIPTION	PART No.	SCHE. No.	DESCRIPTION	PART No.
1	Loop Assembly (Broadcast)	38-9917		Gasket (Dial Mounting)	27-9472			
2	Loop Assembly (Short Wave)	38-9865		Knobs (Tuning, Volume and Wave Switch)	27-4862			
3	Compensator	31-6288		Pilot Lamp Socket Assembly	38-9839			
4	Mica Condenser (250 mmfd.)	61-0033		Pointer	27-4888			
5	Resistor (1.0 meg., 1/2 watt)	33-510339		Pushbutton (Pilot Lamp)	27-4844			
6	Tubular Condenser (.05 mfd.)	30-4519		Operating Finger (Pilot Lamp)	56-1487			
7	R. F. Transformer Assembly	32-3518		Speaker	38-1482			
7A	Resistor (10,000 ohms, 1/2 watt)	33-510339		Speaker Grille	36-1255			
8	Tuning Condenser Assembly	31-2378		Spring (Pilot Lamp)	28-8932			
9	Resistor (1.0 meg., 1/2 watt)	33-510339		Spring (Drive Cord)	28-8882			
10	Oscillator Transformer (Broadcast)	32-3249		Spring (Wave Switch Centering)	28-8845			
11	Oscillator Transformer (Short Wave)	32-3250		Snap Fastener (Dial Mounting)	28-4342			
12	Compensator (.110 mfd.)	31-6100		Sockets (Loktal)	33-0575			
13	Mica Condenser (4500 mmfd.)	30-1130		Tuning Shaft	56-0070			
14	Resistor (4700 ohms, 1/2 watt)	33-247339		Tuning Drum	56-1486			
15	Resistor (4700 ohms, 1/2 watt)	33-247339						
16	Mica Condenser (500 mmfd.)	30-1114						
17	Mica Condenser (4500 mmfd.)	33-332339						
18	Resistor (33,000 ohms, 1/2 watt)	30-1109						
19	Tubular Condenser (.05 mfd.)	30-4519						
20	1st I. F. Transformer Assembly	32-3222						
21	2nd I. F. Transformer Assembly	32-3223						
22	Resistor (4.7 meg., 1/2 watt)	33-522339						
23	Resistor (2.2 meg., 1/2 watt)	33-522339						
24	Resistor (2400 ohms, 1/2 watt)	33-2439						
25	Electrolytic Condenser (6.8 mfd., 150 V.)	30-2388						
26	Mica Condenser (250 mmfd.)	61-0033						
27	Volume Control and On-Off Switch	33-5110						
28	Tubular Condenser (.004 mfd.)	30-4978						
29	Resistor (4.7 meg., 1/2 watt)	33-522339						
30	Tubular Condenser (.8 mfd.)	30-4951						
31	Resistor (1.0 meg., 1/2 watt)	33-510339						
32	Mica Condenser (.110 mfd.)	30-1130						
33	Tubular Condenser (.01 mfd.)	30-4972						
34	Resistor (2.2 meg., 1/2 watt)	33-522339						
35	Resistor (700 ohms, 1/2 watt)	33-170339						
36	Mica Condenser (800 mmfd.)	30-1110						
37	Output Transformer	32-8026						
38	Cone and Voice Coil Assembly (Speaker Part No. 38-1482-3)	36-4121						
39	Pilot Lamp	34-2246						
40	Wave Switch	34-1489						

### MODEL 40-88T-TL

Bezel	27-4855
Cabinet	104148
Knob Assembly	27-4862
Push-Button Tuning Light	27-4844
Operating Finger (Pilot Lamp)	56-1487
Screen Speaker	56-1255
Speaker	38-1482
Snap Fastener Pilot Lamp Bracket	56-1487
Screw (Chassis Mounting)	W-2048
Screw (Back Mounting)	W-2033
Screw (Bezel Mounting)	W-2074

